

VIRVIVO

**INSTALLATION AND
MAINTENANCE MANUAL**

ROOM THERMOSTAT

« PB 172 »



DESCRIPTION

This is an easy-to-use MECHANICAL THERMOSTAT. It allows an accurate room temperature adjustment in the hosting room, thus meeting any users' needs as far as room comfort.

CONFORMITY TO THE STANDARDS

This product complies with:

- EN 60730-1 and subsequent revisions
- EN 60730-2-9

CONFORMITY TO THE GUIDELINES

This product complies with:

- LVD 2014/35/EU
- Class ErP I (+1%) - EU 811/2013



TECHNICAL DATA

TEMPERATURE RANGE = $5^{\circ}\div 30^{\circ}\text{C}$

TEMPERATURE DIFFERENTIAL = $0,4\text{K}\div 0,8\text{K}$

DEGREE OF PROTECTION = IP 20

INSULATION CLASS = \square

TEMPERATURE RATE OF CHANGE = $1\text{K}/15\text{min}$.

OUTPUT = switching contacts

CONTACTS RATING = $16(2,5)\text{A}/250\text{V}\sim$ (example : up to 7 ELIS max. $I_{\text{abs}} \text{ELIS} = 0,33\text{A}$)

SWITCH ACTION = 1B

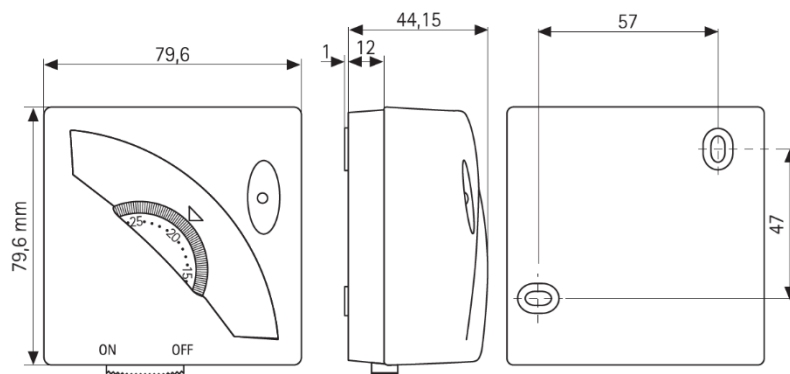
POLLUTION DEGREE = (2)

MAXIMUM STANDING TEMPERATURE = 50°C

STORAGE TEMPERATURE = $0^{\circ}\div 50^{\circ}\text{C}$

MOUNTING = to the wall

RATED IMPULSE VOLTAGE = 4kV

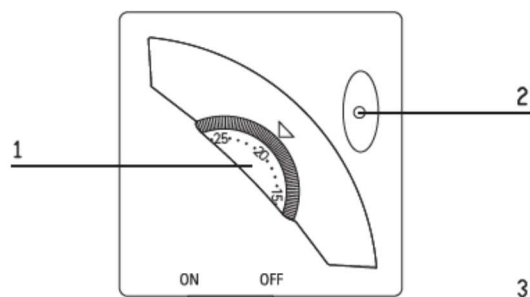


THERMOSTAT CONTROL KEYS

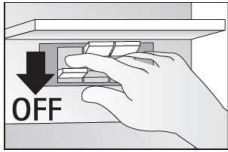
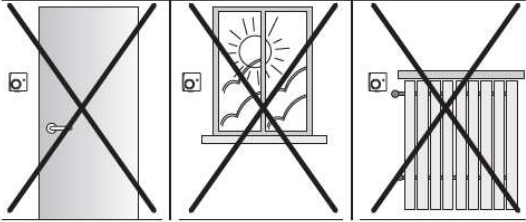

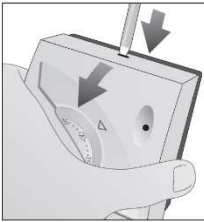
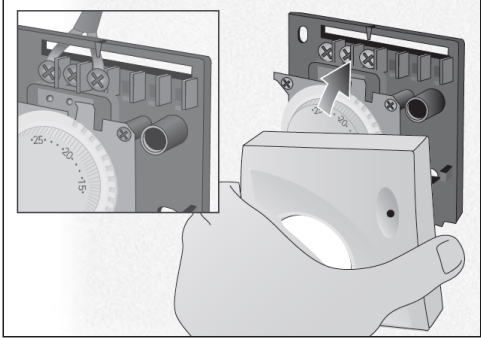
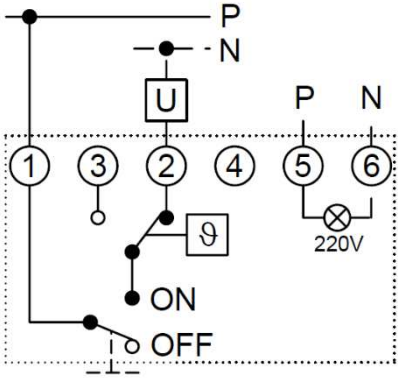
1 = Temperature setting knob

2 = Warning lamp

3 = ON/OFF switch



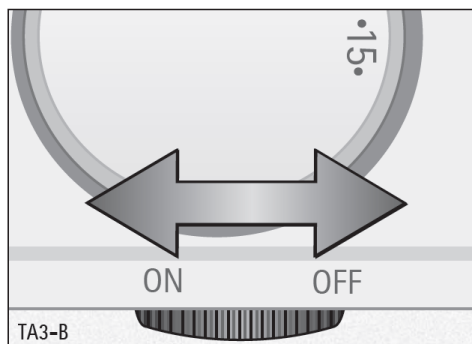
INSTALLATION AND CONNECTIONS

<p>SAFETY INSTRUCTIONS</p> <p>Before connecting the thermostat, make sure that the supply voltage of the UNIT TO BE CONTROLLED (boiler, pump, air-conditioning system, etc.) is NOT CONNECTED and that it matches the indication given inside the appliance (250V~ max).</p>	
<p>PLACEMENT OF THE THERMOSTAT</p> <p>Install the thermostat away from heat sources (radiators, sunrays, and kitchens) and away from doors/windows, at approx. 1,5 m height from the floor.</p>	
<p>INSTALLATION AND WIRING CONNECTIONS</p> <p>Remove the front cover from the thermostat base by releasing the provided clip</p> <p>Thread the power supply wires through the slot in the base and connect them to the terminals as per the wiring diagram sketched inside the appliance.</p> <p>Snap the front cover back.</p> <p> WARNING: It is recommended to install the appliance strictly in compliance with all safety and law provisions in force.</p>	  



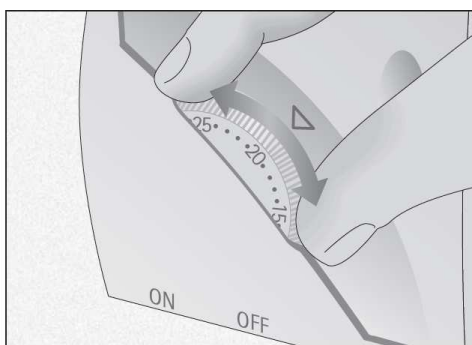
TURNING THE THERMOSTAT ON AND OFF

Put the switch onto the "ON" position to start the equipment or onto the "OFF" to turn it off.



TEMPERATURE SETTING

When the appliance is connected and the electric power is switched on, set the desired room temperature simply by turning the temperature-adjusting knob to the corresponding value on the graduated scale.



PROBLEM SOLVING

PROBLEM	POSSIBLE CAUSE	SOLUTION
The system does not start	Wrong wiring	Check if the wiring connections to the thermostat terminals were carried out as per wiring diagram
	The set room temperature has been already reached	Increase or reduce the set temperature value according to the system application (heating/air-conditioning system)
	Switch on OFF position	Put switch onto ON position
The ambient temperature does not correspond to the temperature set on the thermostat	Incorrect positioning of the thermostat within the room	Follow the instructions of paragraph "Placement of the thermostat"
	Air draughts coming from the electrical wires conduit	Seal the conduit to prevent warm or cold air draughts

NOTE: in case of repeated malfunctioning, please call our Technical Service. Do not tamper for any reason with any part of the thermostat.

M PB172-05-17_UK

Tel : 05 56 70 14 00 - Fax 05 56 70 14 09
www.aircalo.fr

14 Avenue Cassiopée
 33160 Saint-Médard-en-Jalles

